

Type 323 Metering Ball Valve

Standard Features

- **Size**
3/8" - 1/2"
- **Material**
Polypropylene, PVC
- **Connection Ends**
Socket, Threaded, Fusion
- **Seat**
PTFE
- **Seals**
EPDM or FPM
- **Scale**
0° to 180°

Optional Features

- Actuation (electric or pneumatic)
- Positioner for actuation

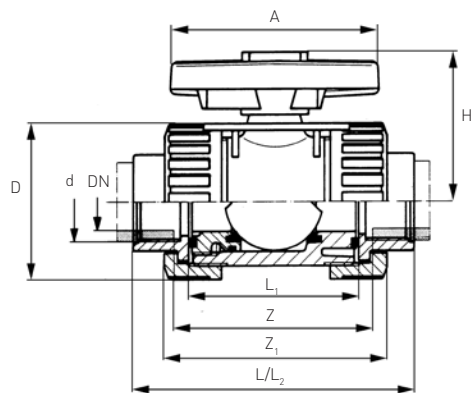


General

The Type 323 metering ball valve is ideal solution where precise flow control is needed. It has a special V-notch ball and operates with a 180° turn versus a 90° turn most ball valves have. The Type 323 has an integrated scale to indicate degrees of opening and provides a very linear flow curve. Polypropylene and PVC are the available materials.

Dimensions

size	L (PVC)		L2 (PP)	L1 (PVC)	L1 (PP)	Z*	Z1**	Z2*	D (PVC)	h (PP)	H	A	weight		OD d	ID DN
	sock	thrd	inch	inch	inch	inch	inch	inch	inch	inch	inch	inch	lbs	lbs	mm	mm
3/8	4.45	4.14	3.86	2.48	2.44	2.91	3.61	2.68	1.81	1.97	1.93	3.07	.33	.22	16	10
1/2	4.49	4.17	3.98	2.48	2.44	2.64	3.46	2.72	1.81	1.97	1.93	3.07	.33	.22	20	15



L Overall length of threaded and solvent cement socket valve in PVC

L₂ Overall length of metric fusion socket valve in PP

Z* Solvent cement socket valve in PVC (laying length)

Z₁** Threaded valve in PVC (laying length is herein defined as the dimension between the ends of pipe when threaded into valve to a depth equal to the nominal "Handtight" plus 1/2 turn)

Z₂* Metric fusion socket valve in PP (laying length)

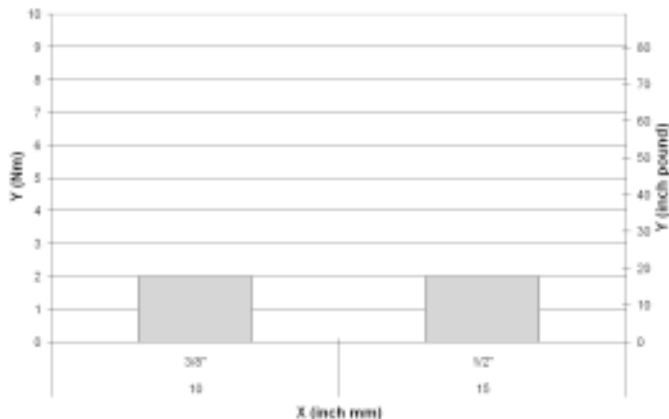


GEORG FISCHER
PIPING SYSTEMS

Ball valve type 323

Technical data of type 323

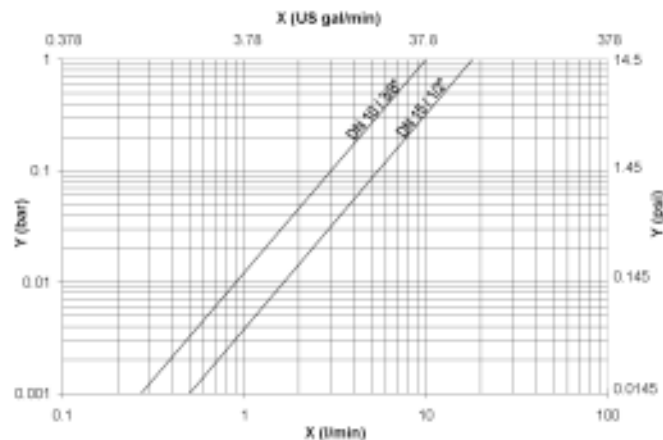
Operating torque (average values)



X Size DN (mm / inch)
Y Torque (Nm / inch pound)

Depending on the application, e. g. operating speed, fluid, temperature, etc., ca. 2 times the operating torque should be taken for sizing actuators.

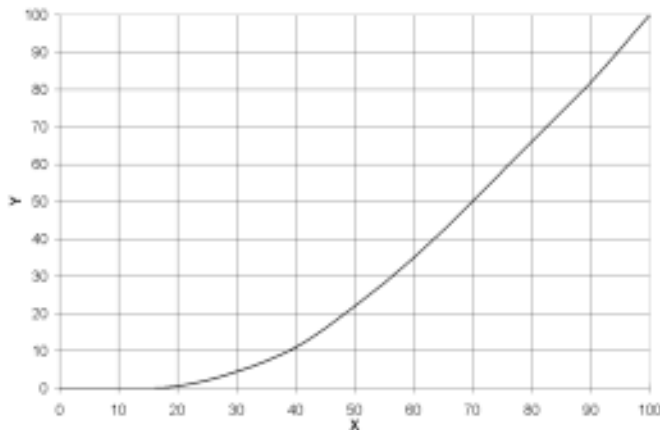
Pressure loss



Medium: water, 20 °C

X Flow rate (l/min / US gal/min)
Y Pressure loss Δp (bar / psi)

Flow characteristics for type 323



X Open angle (%)
Y Flow factor kv, cv (%)

kv value 100 for type 323

The kv values for each intermediate valve position can be determined using the flow value characteristic and the kv 100 values.

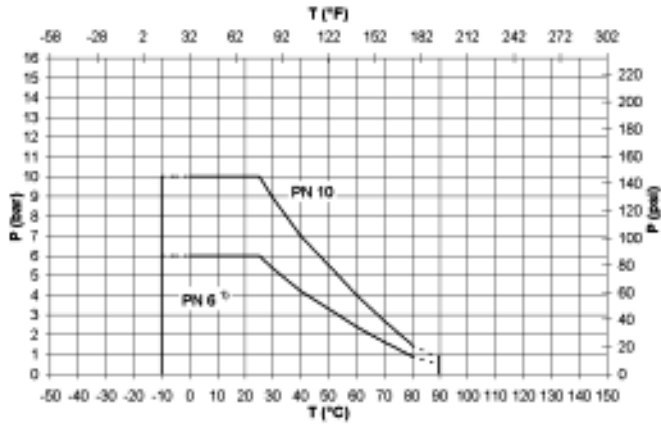
DN mm	DN inch	d mm	kv 100 l/min ($\Delta p=1$ bar)	Cv 100 US gal./min ($\Delta p=1$ psi)	kv 100 m ³ /h ($\Delta p=1$ bar)
10	3/8	16	11	0.8	0.7
15	1/2	20	20	1.4	1.2

Ball valve type 323

Pressure-temperature diagram, type 323

The following pressure temperature diagrams are based on a lifetime of 25 years and the medium water or similar media.

PP-H

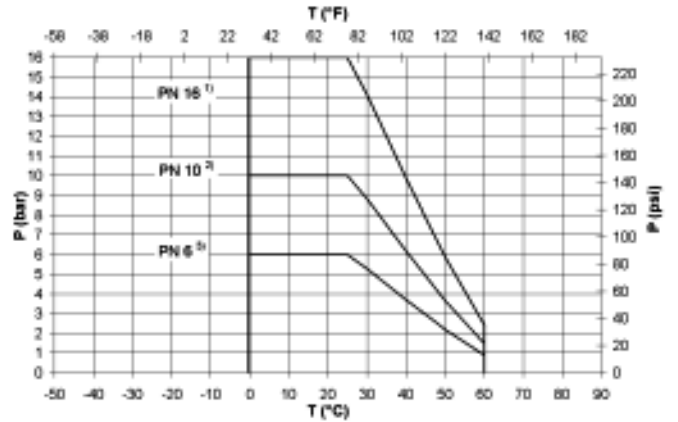


- 1) E. g. ball valve with PP-H or PE100 spigot end, SDR 17
- P permissible pressure in bar, psi
- T Temperature in °C, °F

In case of applications with temperatures in the range of

the dotted lines, please contact your GF representative.

PVC-U



- 1) The central part of ball valve is designed for the nominal pressure PN16
- 2) Depending on the valve end, the nominal pressure is reduced to PN10
- 3) Depending on the valve end, the nominal pressure is reduced to PN6
- p Permissible pressure in bar, psi
- T Temperature in °C, °F

GF Piping Systems → worldwide at home

Our sales companies and representatives ensure local customer support in over 100 countries.

www.piping.georgfischer.com



The technical data is not binding. They neither constitute expressly warranted characteristics nor guaranteed properties nor a guaranteed durability. They are subject to modification. Our General Terms of Sale apply.

Adding Quality to People's Lives

Australia

Georg Fischer Pty Ltd
Riverwood NSW 2210 Australia
Phone +61(0)2 9502 8000
australia.ps@georgfischer.com
www.georgfischer.com.au

Austria

Georg Fischer
Rohrleitungssysteme GmbH
3130 Herzogenburg
Phone +43(0)2782 856 43-0
austria.ps@georgfischer.com
www.georgfischer.at

Belgium/Luxembourg

Georg Fischer NV/SA
1070 Bruxelles/Brüssel
Phone +32(0)2 556 40 20
be.ps@georgfischer.com
www.georgfischer.be

Brazil

Georg Fischer Ltda
04795-100 São Paulo
Phone +55(0)11 5687 1311
br.ps@georgfischer.com

Canada

Georg Fischer Piping Systems Ltd
Brampton, ON L6T 4E3
Phone +1(905) 792-8005
ca.ps@georgfischer.com
www.gfipiping.ca

China

Georg Fischer
Piping Systems Ltd Shanghai
Pudong, Shanghai 201319
Phone +86(0)21 58 13 33 33
china.ps@georgfischer.com
www.cn.piping.georgfischer.com

Denmark/Iceland

Georg Fischer A/S
2630 Taastrup
Phone +45 (0)70 22 19 75
info.dk.ps@georgfischer.com
www.georgfischer.dk

France

Georg Fischer SAS
95932 Roissy Charles de Gaulle Cedex
Phone +33(0)1 41 84 68 84
fr.ps@georgfischer.com
www.georgfischer.fr

Germany

Georg Fischer GmbH
73095 Albershausen
Phone +49(0)7161 302-0
info.de.ps@georgfischer.com
www.georgfischer.de

India

Georg Fischer Piping Systems Ltd
400 076 Mumbai
Phone +91 224007 2001
in.ps@georgfischer.com
www.georgfischer.in

Italy

Georg Fischer S.p.A.
20063 Cernusco S/N (MI)
Phone +3902 921 861
it.ps@georgfischer.com
www.georgfischer.it

Japan

Georg Fischer Ltd
556-0011 Osaka
Phone +81(0)6 6635 2691
jp.ps@georgfischer.com
www.georgfischer.jp

Korea

Georg Fischer Piping Systems
Guro-3 dong, Guro-gu, Seoul, Korea
Phone +82(0)2 2081 1450
Fax +82(0)2 2081 1453
kor.ps@georgfischer.com

Malaysia

Georg Fischer (M) Sdn. Bhd.
40460 Shah Alam, Selangor
Phone +60 (0)3 5122 5585
conne.kong@georgfischer.com

Mexico

Georg Fischer S.A. de C.V.
Apodaca, Nuevo Leon
CP66636 Mexico
Phone +52 (81)1340 8586
Fax +52 (81)1522 8906

Middle East

Georg Fischer Piping Systems
Dubai, United Arab Emirates
Phone +971 4 289 49 60
info.export@georgfischer.com
www.export.georgfischer.com

Netherlands

Georg Fischer N.V.
8161 PA Epe
Phone +31(0)578 678 222
nL.ps@georgfischer.com
www.georgfischer.nl

Norway

Georg Fischer AS
1351 Rud
Phone +47(0)67 18 29 00
no.ps@georgfischer.com
www.georgfischer.no

Poland

Georg Fischer Sp. z o.o.
02-226 Warszawa
Phone +48(0)22 313 10 50
poland.ps@georgfischer.com
www.georgfischer.pl

Romania

Georg Fischer
Piping Systems Ltd
020257 Bucharest - Sector 2
Phone +40(0)21 230 53 80
ro.ps@georgfischer.com
www.export.georgfischer.com

Russia

Georg Fischer Piping Systems
Moscow 125047
Tel. +7 495 258 60 80
ru.ps@georgfischer.com
www.georgfischer.ru

Singapore

Georg Fischer Pte Ltd
528 872 Singapore
Phone +65(0)67 47 06 11
sgp.ps@georgfischer.com
www.georgfischer.com.sg

Spain/Portugal

Georg Fischer S.A.
28046 Madrid
Phone +34(0)91 781 98 90
es.ps@georgfischer.com
www.georgfischer.es

Sweden/Finland

Georg Fischer AB
12523 Älvsjö-Stockholm
Phone +46(0)8 506 775 00
info.se.ps@georgfischer.com
www.georgfischer.se

Switzerland

Georg Fischer
Rohrleitungssysteme [Schweiz] AG
8201 Schaffhausen
Phone +41(0)52 631 30 26
ch.ps@georgfischer.com
www.piping.georgfischer.ch

Taiwan

Georg Fischer Piping Systems
San Chung City, Taipei Hsien
Phone +886 2 8512 2822
Fax +886 2 8512 2823

United Kingdom/Ireland

Georg Fischer Sales Limited
Coventry, CV2 2ST
Phone +44(0)2476 535 535
uk.ps@georgfischer.com
www.georgfischer.co.uk

USA/Latin America/Caribbean

Georg Fischer LLC
Tustin, CA 92780-7258
Phone +1(714) 731 88 00
Toll Free 800 854 40 90
us.ps@georgfischer.com
www.us.piping.georgfischer.com