

Switch-Tek™ Non-Intrusive Capacitance Switch

Switch-Tek Non-Int Cap LP50 0510 DS2_2

Features

- ✓ Level detection through plastic tank walls up to 1" thick
- ✓ Sensor mounting brackets are offered in common tank materials for adhesive or tack-weld install

Specifications

Tank mounting:	Non-intrusive
Tank mat. comp.:	Non-metallic
Tank wall thick.:	< 1" (25 mm)
Accuracy:	± 1 mm in water
Repeatability:	± 0.5 mm in water
Dielectric range:	> 10 constants
Conductive range:	> 100 micromhos
Supply voltage:	12-36 VDC
Consumption:	25 mA maximum
Contact type:	(1) SPST relay
Contact rating:	60 VA
Contact output:	Selectable NO/NC
Process temp.:	F: -40° to 176° C: -40° to 80°
Enclosure rating:	NEMA 4X (IP65)
Enclosure mat.:	PSO
Conduit entrance:	Single, 1/2" NPT
Bracket material:	1005: PP 5005: PVDF 6005: PE
Bracket mounting:	3M adhesive / plastic thermal weld
Cable jacket mat.:	PP
Cable type:	4-conductor, #22 AWG (shielded)
Cable length:	Standard: 10' (3m) Special order: 25' (7.6m) or 50' (15.2m)
Classification:	General purpose
CE compliance:	EN 61326 EMC EN 61010-1 safety



Description

The general purpose non-intrusive capacitance level switch is a great choice for clean or ultrapure, aqueous based liquids with non-coating and/or scaling characteristics. Media examples include deionized water and hydrochloric acid. The 1A relay provides a reliable switch interface with remote devices such as a PLC, SCADA or alarm. The sensor mounts on the exterior wall of non-metallic tanks.

Non-Intrusive Ordering

LP50-005

Bracket material (1) (2) (3)

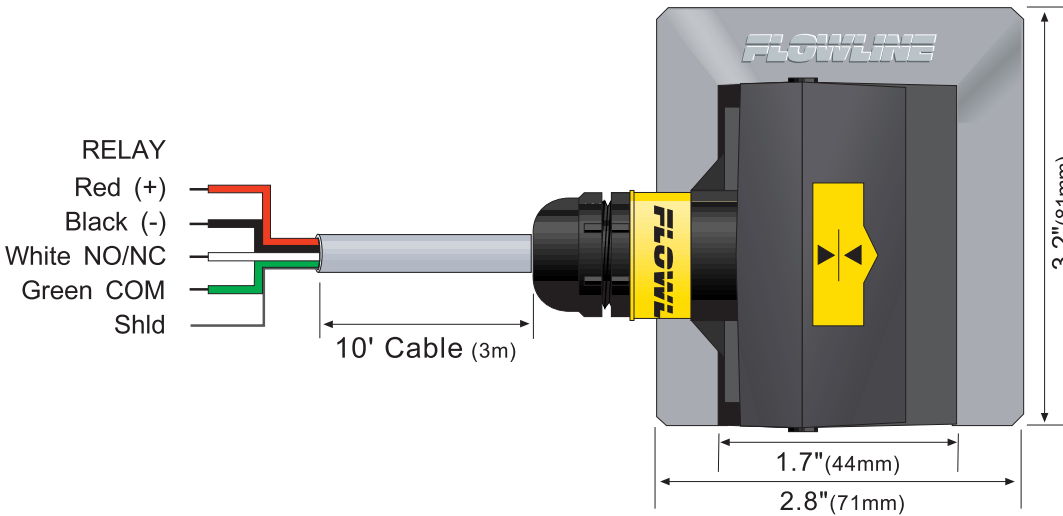
- 1 PP
- 5 PVDF
- 6 PE

Ordering Notes

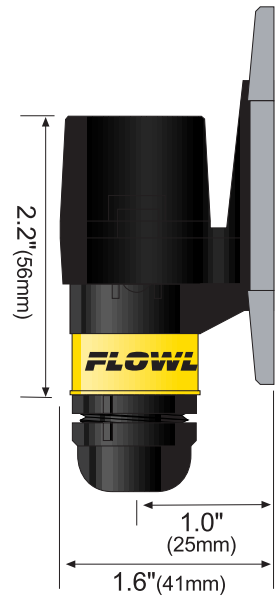
- 1) Select the bracket that matches the tank wall material in your application.
- 2) Each sensor comes with one user specified bracket. Additional brackets may be ordered separately for multiple installation points:
LP95-1001: PP bracket
LP95-5001: PVDF bracket
LP95-6001: PE bracket
- 3) To special order a 25' (7.6m) or 50' (15.2 m) sensor cable, place the cable length at the end of the part number (ie: LP50-6005-25').
- 4) When conduit is not used, add the LM90-1001 Liquid Tight Connector to seal the sensor.

Switch-Tek™ Non-Intrusive Capacitance Switch

LP50 Front View

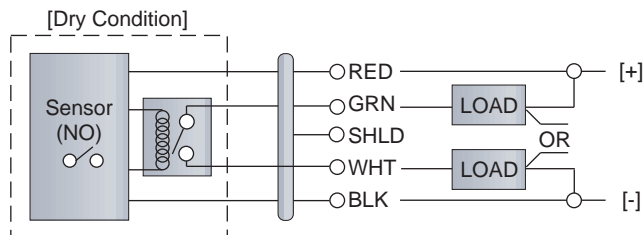


LP50 Profile



Specifications are subject to change without notice.

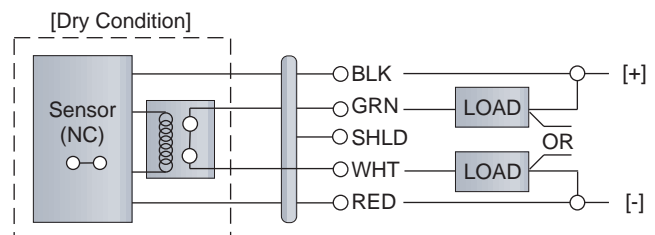
NO Output - DC Powered Load



SENSOR POWER
[RED & BLK Wires]
36 VDC Max.
5-1 mA Dry
19-1 mA Wet

RELAY RATING
[GRN & WHT Wires]
60 VA Max.

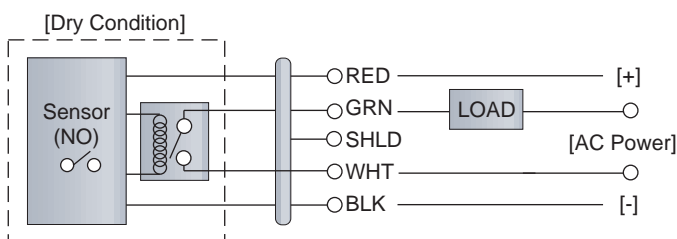
NC Output - DC Powered Load



SENSOR POWER
[RED & BLK Wires]
36 VDC Max.
19-1 mA Dry
5-1 mA Wet

RELAY RATING
[GRN & WHT Wires]
60 VA Max.

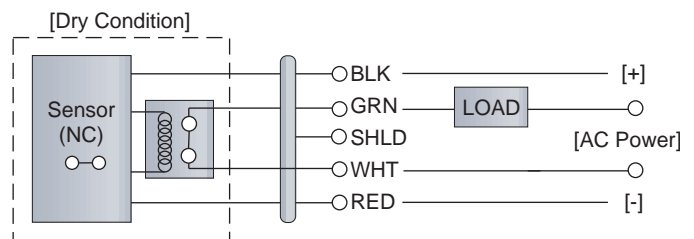
NO Output - AC Powered Load



SENSOR POWER
[RED & BLK Wires]
36 VDC Max.
5-1 mA Dry
19-1 mA Wet

RELAY RATING
[GRN & WHT Wires]
60 VA Max.

NC Output - AC Powered Load



SENSOR POWER
[RED & BLK Wires]
36 VDC Max.
19-1 mA Dry
5-1 mA Wet

RELAY RATING
[GRN & WHT Wires]
60 VA Max.