



Electric

Automated Ball Valve Package

Series 22 Direct Mount

Full Port Valve

800/1000 psi WOG (by size)

2-Piece High Cycle Design

Available 1/4" – 3"

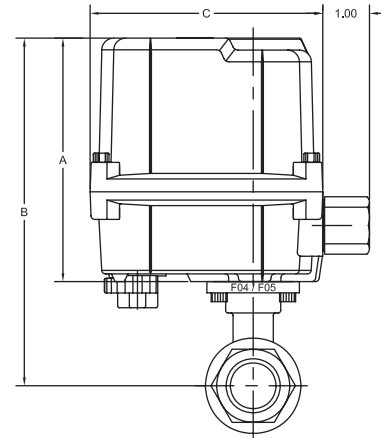
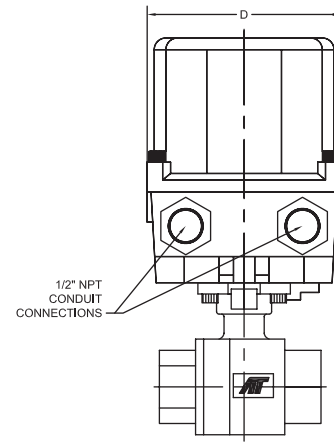
Direct Actuator Mount

316SS Body, Ball and Stem



Direct Mount

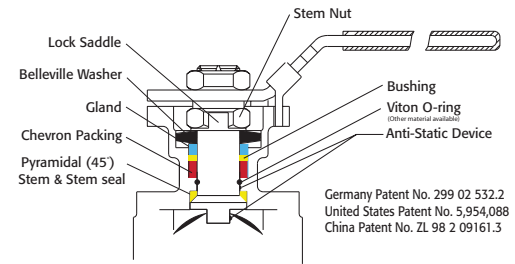
VALVE SIZE	A	B	C	D	VALVE Cv
1/4"	5.24	6.77	4.94	4.08	7
3/8"	5.24	6.77	4.94	4.08	8
1/2"	5.24	6.84	4.94	4.08	15
3/4"	5.24	7.06	4.94	4.08	40
1"	5.24	7.48	4.94	4.08	70
1-1/4"	5.24	7.64	4.94	4.08	110
1-1/2"	5.24	8.30	4.94	4.08	250
2"	5.24	8.59	4.94	4.08	350
2-1/2"	9.25	13.56	6.69	10.16	600
3"	10.55	15.18	9.02	13.31	900



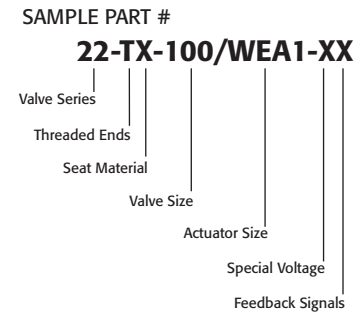
SERIES 22 2-Piece Direct Mount

ON-OFF	
SIZE	MODEL
1/4"	22-TX-025/WEA1-XX
3/8"	22-TX-038/WEA1-XX
1/2"	22-TX-050/WEA1-XX
3/4"	22-TX-075/WEA1-XX
1"	22-TX-100/WEA1-XX
1-1/4"	22-TX-125/WEA1-XX
1-1/2"	22-TX-150/WEA1-XX
2"	22-TX-200/WEA1-XX
2-1/2"	22-TX-250/WEB1-XX
3"	22-TX-300/WEC1-XX

MODULATING	
SIZE	MODEL
1/4"	22-TX-025/WEA2-XX
3/8"	22-TX-038/WEA2-XX
1/2"	22-TX-050/WEA2-XX
3/4"	22-TX-075/WEA2-XX
1"	22-TX-100/WEA2-XX
1-1/4"	22-TX-125/WEA2-XX
1-1/2"	22-TX-150/WEA2-XX
2"	22-TX-200/WEA2-XX
2-1/2"	22-TX-250/WEB2-XX
3"	22-TX-300/WEC2-XX



Germany Patent No. 299 02 532.2
United States Patent No. 5,954,088
China Patent No. ZL 98 2 09161.3



OPTIONS
DESCRIPTION
24 VAC/24 VDC/220VAC
Feedback potentiometer

Other options available - call for details
Actuators are sized based on clean/clear fluid.

See valve part number matrix for complete part number and options.

0308-22E

Triac Division
11363 Deerfield Rd.
Cincinnati, Ohio 45242

PHONE (513) 247-5465
FAX (513) 247-5462
e-mail: sales@a-tcontrols.com
www.a-tcontrols.com

Valve Options

Various Seat Materials

PTFE, RTFE, 50/50, 15% CFTE, Delrin PEEK, Hard Facing, UHMWPE, TFM-1600

Several hard face and metal-metal options

Gear Operators

Quarter-turn Gear Operators

Spring Return "Deadman" Handles

Oval handles, TEE Handles

Specials and Solutions

Steam Jackets

Stem Extensions

V-ported Control Valves

Multi-port Valve Solutions

Fugitive Emissions Bonnets (TSM's)

Oxygen Cleaning

Lockout Brackets

Vented Balls

"No Play" Mounting Kits

- **FM Approved Valves and Assemblies**



AT A-T Controls, Inc.

Triac Division
11363 Deerfield Rd.
Cincinnati, Ohio 45242

PHONE (513) 247-5465
FAX (513) 247-5462
e-mail: sales@a-tcontrols.com
www.a-tcontrols.com

Other Products

Special Seats

Balls and Seal Designs



Steam Jacketed Valves



Floor Mounted Damper Drives



Limit Switches

Mounted on Manual Valves



Fusible Link Assemblies



180° Actuators



Lockout Mounting Kits



Stem Extensions



Special Multi-Port Valves



Dual Valve Assemblies

